



BRU

ENERGY EFFICIENT
POUR AND SERVE
COFFEE MACHINE



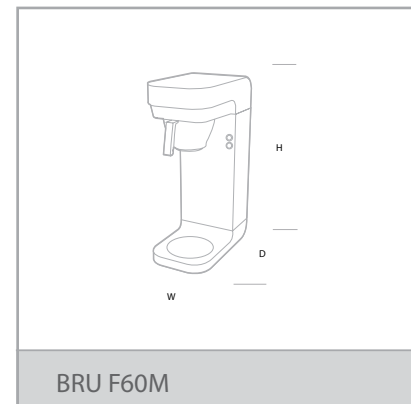
BRU F45M

BRU F60M

FEATURES/

- Professional grade brewer.
- Manual and automatic fill options.
- Improved sprayhead performance.
- Ease of service and refurb.
- Simple set up.
- Robust construction.
- Jug and flask variants.
- Best in class temperature management.

DIMENSIONS/



IDEAL FOR HIGH QUALITY
COFFEE FOR ALL CATERING
LOCATIONS, COFFEE SHOP,
CANTEEN, CONFERENCE,
OFFICES AND BUSINESS
LOCATIONS

*2 glass jugs provided
**Airpot sold separately

SPECS/OPTIONS

DESCRIPTION	ORDER CODE	BREW CAPACITY (L)	POWER @ 230V	WEIGHT (KG)
F45M JUG MANUAL FILL*	1000900	1.8	2.4kW	9
F45A JUG AUTO FILL*	1000901	1.8	2.4kW	9
F60M FLASK MANUAL FILL**	1000902	2.2	2.2kW	8
F60A FLASK AUTO FILL**	1000903	2.2	2.2kW	8
AIRPOT 2.2L	1700179	N/A	N/A	2

DESCRIPTION	DIMENSIONS (DXWXHmm)	PACKAGING DIMENSIONS (DXWXHmm)	QTY PER PALLET	PLUMBING REQUIREMENTS
F45M JUG MANUAL FILL*	360x211x444	600x250x507	24	N/A
F45A JUG AUTO FILL*	360x211x444	600x250x507	24	3/4" BSP
F60M FLASK MANUAL FILL**	360x211x598	420x250x657	20	N/A
F60A FLASK AUTO FILL**	360x211x598	420x250x657	20	3/4" BSP
AIRPOT 2.2L	N/A	370x190x190	90	N/A